

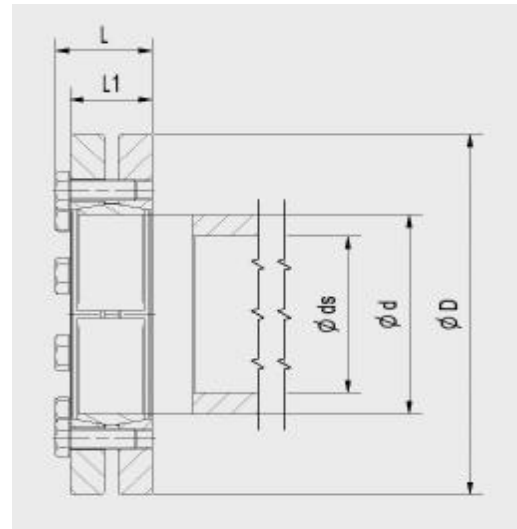
## Shrink Disc MAV 2108 light duty

rev. 2

### Features:

- shaft to hollow shaft connection
- 3-part design
- not self-locking
- screws DIN 931/933 grade 10.9
- shaft / hub surface finish  $Ra < 3,2 \mu m$
- hollow shaft outer diameter tolerance: h8
- hub bore / shaft fitting tolerance:

shaft size $ds$		ISO tolerances	max clearance mm
from	to		
6	10	H6 - j6	0,011
11	18		0,014
19	30		0,017
31	50	H6 - h6	0,032
51	80	H6 - g6	0,048
81	120	H7 - g6	0,069
121	180		0,079
181	250		0,090
251	315		0,101
316	400		0,111
401	500		0,123



Ma: screw tightening torque  
 Mt: max. transmissible torque (Fax=0 kN)  
 Fax: max. transmissible axial load (Mt=0Nm)  
 Ps: contact pressure on shaft  
 Ph: contact pressure on hub OD

### Example of order: MAV2108 -220 x 345

Dimensions					Screws		Performance				Weight
$ds$ mm	$d \times D$ mm	$L$ mm	$L1$ mm	n.	size	$Ma$ Nm	$Mt$ Nm	$Fax$ kN	$Ps$ N/mm <sup>2</sup>	$Ph$ N/mm <sup>2</sup>	kg
95	125 x 190	58,4	52	8	M 10	59	11.000	230	130	184	5,6
100							13.200	260	140	184	
105							15.600	300	150	184	
110	140 x 220	58,4	52	10	M 10	59	18.600	340	163	206	7,9
120							24.200	400	179	206	
125							27.000	430	183	206	
130	155 x 245	58,4	52	12	M 10	59	30.500	470	192	223	9,9
135							34.100	500	198	223	
140							37.800	540	205	223	
135	165 x 260	69,5	62	10	M 12	100	36.800	550	186	220	13
140							40.900	580	193	220	
145							45.200	620	198	220	
145	175 x 275	69,5	62	10	M 12	100	40.500	560	178	207	15
150							44.700	600	183	207	
155							49.000	630	188	207	
155	185 x 295	69,5	62	12	M 12	100	54.400	700	209	235	17
160							59.300	740	214	235	
165							64.500	780	218	235	
165	195 x 315	79,5	72	15	M 12	100	73.900	900	206	229	24
170							80.100	940	210	229	
175							86.500	990	214	229	
180	220 x 345	94,0	84	10	M 16	250	98.600	1.100	196	221	32
190							113.000	1.200	200	221	
200							129.000	1.300	208	221	
200	240 x 370	94,0	84	12	M 16	250	137.000	1.400	220	243	36
210							155.000	1.500	226	243	
215							165.000	1.500	229	243	

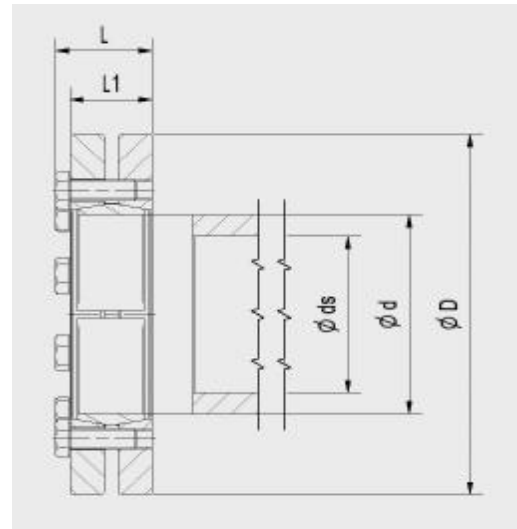
## Shrink Disc MAV 2108 light duty

rev. 2

### Features:

- shaft to hollow shaft connection
- 3-part design
- not self-locking
- screws DIN 931/933 grade 10.9
- shaft / hub surface finish  $R_a < 3,2 \mu\text{m}$
- hollow shaft outer diameter tolerance: h8
- hub bore / shaft fitting tolerance:

shaft size $d_s$		ISO tolerances	max clearance mm
from	to		
6	10	H6 - j6	0,011
11	18		0,014
19	30		0,017
31	50	H6 - h6	0,032
51	80	H6 - g6	0,048
81	120	H7 - g6	0,069
121	180		0,079
181	250		0,090
251	315		0,101
316	400		0,111
401	500		0,123



Ma: screw tightening torque  
 Mt: max. transmissible torque (Fax=0 kN)  
 Fax: max. transmissible axial load (Mt=0Nm)  
 Ps: contact pressure on shaft  
 Ph: contact pressure on hub OD

### Example of order: MAV2108 –220 x 345

Dimensions					Screws		Performance				Weight
$d_s$ mm	d x D mm mm	L mm	L1 mm	n.	size	Ma Nm	Mt Nm	Fax kN	Ps N/mm <sup>2</sup>	Ph N/mm <sup>2</sup>	kg
220	260 x 395	102,0	92	12	M 16	250	152.000	1.400	180	200	44
230							171.000	1.500	186	200	
235							181.000	1.500	188	200	
230	280 x 425	114,0	104	16	M 16	250	206.000	1.800	197	218	58
240							229.000	1.900	201	218	
250							255.000	2.000	206	218	
250	300 x 460	114,0	104	18	M 16	250	260.000	2.100	210	229	69
260							285.000	2.200	213	229	
270							313.000	2.300	217	229	
270	320 x 495	116,0	106	18	M 16	250	284.000	2.100	197	215	85
280							311.000	2.200	201	215	
290							340.000	2.300	204	215	
290	340 x 535	116,0	106	20	M 16	250	347.000	2.400	209	225	101
300							378.000	2.500	212	225	
310							410.000	2.600	215	225	
310	360 x 555	134,5	122	16	M 20	490	473.000	3.100	209	223	120
320							509.000	3.200	211	223	
330							549.000	3.300	214	223	
330	380 x 585	148,5	136	18	M 20	490	570.000	3.500	198	212	148
340							614.000	3.600	201	212	
350							660.000	3.800	204	212	
350	390 x 595	148,5	136	20	M 20	490	710.000	4.100	220	230	151
360							760.000	4.200	222	230	
370							812.000	4.400	225	230	
370	420 x 630	156,5	144	20	M 20	490	728.000	3.900	188	199	175
380							777.000	4.100	190	199	
390							828.000	4.200	193	199	

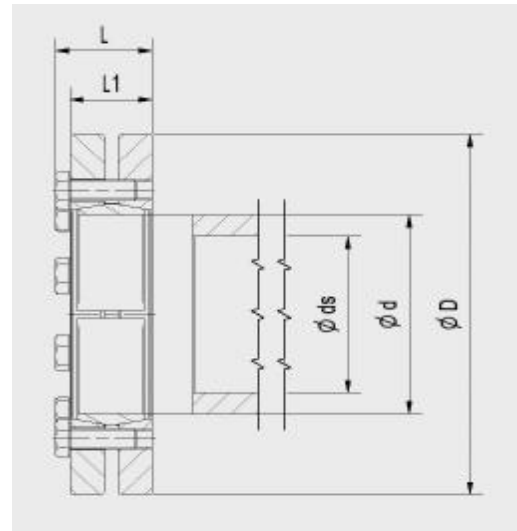
## Shrink Disc MAV 2108 light duty

rev. 2

### Features:

- shaft to hollow shaft connection
- 3-part design
- not self-locking
- screws DIN 931/933 grade 10.9
- shaft / hub surface finish  $Ra < 3,2 \mu m$
- hollow shaft outer diameter tolerance: h8
- hub bore / shaft fitting tolerance:

shaft size $ds$		ISO tolerances	max clearance mm
from	to		
6	10	H6 - j6	0,011
11	18		0,014
19	30		0,017
31	50	H6 - h6	0,032
51	80	H6 - g6	0,048
81	120	H7 - g6	0,069
121	180		0,079
181	250		0,090
251	315		0,101
316	400		0,111
401	500		0,123



Ma: screw tightening torque  
 Mt: max. transmissible torque (Fax=0 kN)  
 Fax: max. transmissible axial load (Mt=0Nm)  
 Ps: contact pressure on shaft  
 Ph: contact pressure on hub OD

### Example of order: MAV2108 –220 x 345

Dimensions					Screws		Performance				Weight
$ds$ mm	$d \times D$ mm	$L$ mm	$L1$ mm	n.	size Ma Nm	Mt Nm	Fax kN	Ps N/mm <sup>2</sup>	Ph N/mm <sup>2</sup>	kg	
380	460 x 685	170,5	158	24	M 20 490	822.000	4.300	183	198	226	
390						875.000	4.500	185	198		
410						982.000	4.800	188	198		
420	500 x 750	190,5	178	30	M 20 490	1.160.000	5.500	183	198	310	
430						1.230.000	5.700	185	198		
440						1.300.000	5.900	187	198		

Information subject to change without prior notification. © MAV S.p.A.